

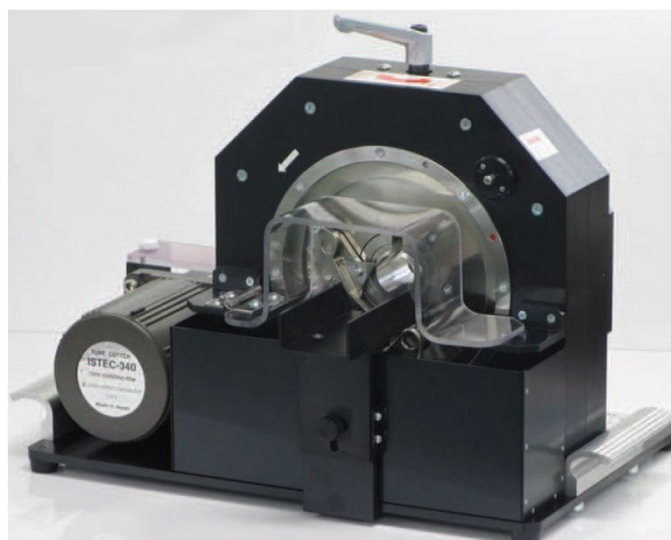


ISTEC Series

*Clean Tube Cutter for
Stainless tubes & pipes*



ISTEC200



ISTEC340

ISTEC Series 200/340

1. FEATURES

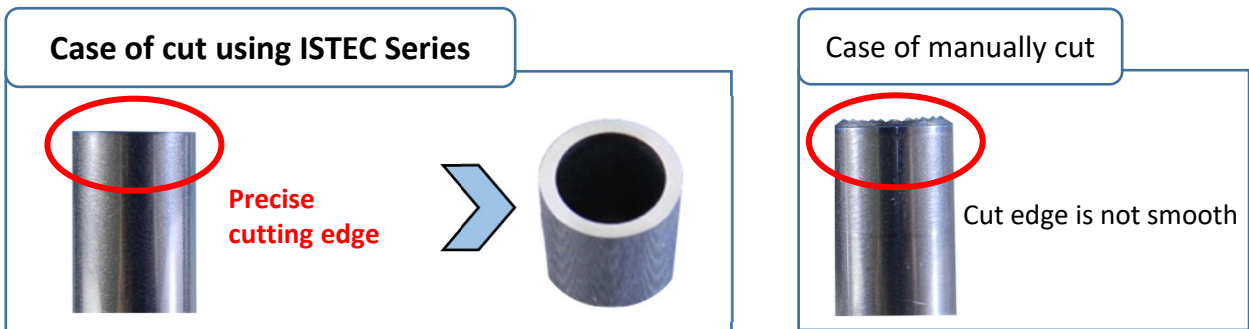
Best suitable to cut stainless steel pipe cleanly for such as semiconductor equipment.

As cutting fluid is not used, **cleaning after cutting is not required.**

The cut edge surface is precise and clean. **Surface finishing of the edge is higher grade.**

The outer cutting edge is free of burrs. Internal burrs can be removed easily with an accessory tool.

Being compact and light in weight, **this Tube Cutter feasible for carrying.** (ISTEC200)



2. SPECIFICATIONS

TYPE	ISTEC200		ISTEC340			
	Size	Thickness	Tube Size	Thick	Pipe Size	Thick
Normal Cutting Tube・Pipe Size & Thickness	1/4 (φ6.35)	0.89~1.0mm	3/4 (φ19.05)	2.1mm or less	10A (φ17.3)	2.1mm or less
	3/8 (φ9.52)	1.0mm	1 (φ25.4)		15A (φ21.7)	
	1/2 (φ12.7)	1.2~1.25mm			20A (φ27.2)	
					25A (φ34.0)	
Option	Corresponding to Option		※Possible to cut Intermediate size of the above . Inquire us for the details.			
	Size	Thickness				
	1/8 (φ3.18)	0.5~0.72				
Applicable tube material	316L SS, 316 SS, 304 SS ※Note : When cutting 304SS, the life of the blade is short a little.					
Weight	5.9kg		20kg			
Motor	Voltage	AC100V±10%		Note : Supports each country voltage		
	Frequency	50/60Hz				
	Work temp.	-10~40°C				
Outside dimension (WxHxD)	228 x 207 x 210 (mm)		420 x 330 x 290 (mm)			

3. STANDARD ACCESSORIES / OPTIONS

Type		ISTEC 200	ISTEC 340
Standard	Cutting Blade	3 pcs./set ※Note1	3 pcs./set ※Note1
	Blade holder※Note3	1/4, 3/8, 1/2 1 pc each (total 3 pcs)	3/4- 1pc ※Note 2
	Adapter ※注3	1/4, 3/8 1 pc each (total 2 pcs)	3/4- 1cs ※Note 2
	Internal burr remover ※Note4	1/4, 3/8, 1/2 1 pc each (total 3 pcs)	×
	Hexagon wrench	2.5, 3, 5mm 1 pc each (total 3 pcs)	2.5mm 1 pc
	Tool box	1 box	1 box
	Instruction manual	1 volume	1volume
	Driving belt	1pc	1 pc
	Chips receiver	1pc	1 pc
Option (Sold separately)	Blade	10 pcs./set ※Note1	10pcs/set ※Note 1
	Length measuring scale	○	×
	Chips receiver	○ ※Note 5	○ ※Note5
	Cut piece receiver	×	○
Option for 1/8 (Sold separately)	Standard set	Blade : 1pc, Tube adapter : 1pc Blade holder : 1 pc, Burr remover : 1pc	
	Cutting blade	10 pcs./set	

※Note1: Cutting blades for 1/4, 3/8, and 1/2 sizes are common (ISTEC200). 3/4, 1, 10A, 15A, 20A, 25A are common (ISTEC340)

※Note 2: Standard accessory is 3/4. Other sizes of 1, 10A, 15A, 20A, and 25A are options.

※Note 3: Blade holder and Adapter are required for each size.

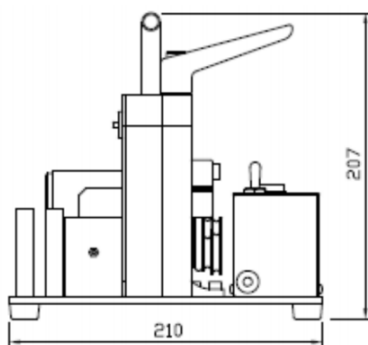
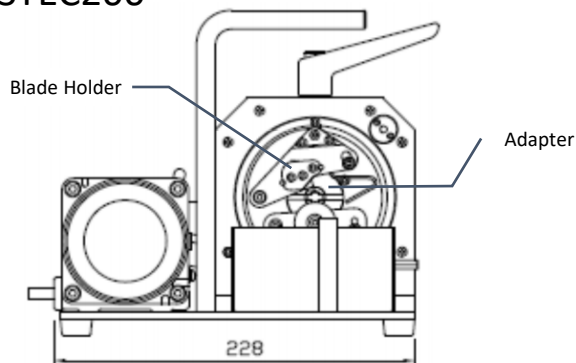
No adapter is required for 1/2 inch of ISTEC 200.

※Note 4: Internal burr remover is for 1/4(inch)→ Thickness 1mm, 1/2(inch)→Thickness 1.24mm. (ISTEC200)

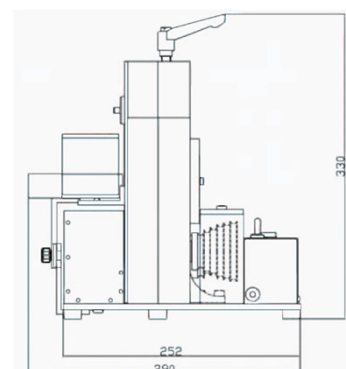
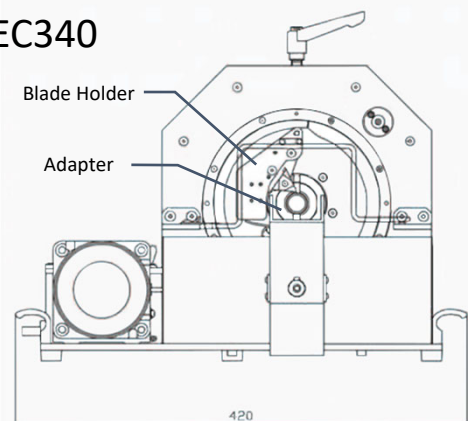
※Note 5: Available 1 piece as standard accessory . Also available for option as well.

4. OUTSIDE DIMENSION

ISTEC200



ISTEC340





IHARA SCIENCE CORPORATION

You can get more information through Website.

<http://www.ihara-sc.co.jp/en>

◆Head Office

11-3 Takanawa 3-chome Minato-ku, Tokyo 108-0074 Japan
TEL: +81-3-6721-6981 FAX: +81-3-6721-6991

◆IHARA SCIENCE TAIWAN Co., Ltd

No.79, Mingyi St., West Dist.
Taichung City 403, Taiwan (R.O.C.)
TEL:+886-4-2319-1116 FAX:+886-4-2319-1126

◆NANTONG IHARA SCIENCE Co., Ltd.

GP Div.: No.26-4 Tongsheng Road,
(CP Div.: No.1692 Bldg, N0.8 Xinghu Road,)
Economic & Technological Development Zone,
Nantong, Jiangsu 226010 P.R.China
TEL:+86-513-8152-0189 FAX:+86-513-8152-0189

◆IHARA KOREA Co.,Ltd

Digital Empire II 103-905, Sinwon-ro 88,
Yeongtong-Gu, Suwon-Si, Gyeonggi-Do,
443-734, South Korea
TEL:+82-31-695-6800 FAX:+82-31-695-6808

◆IHARA SCIENCE USA CORPORATION

17971 Sky Park Circle, Suite B, Irvine,
California 92614 U.S.A.
TEL:+1-949-387-3727 FAX: +1-949-387-3739

 **WARNING**

If you don't select and handle fittings, valves and related accessories in an adequate manner, it may damage human beings and applicable systems. Within the responsibility and authorization of users and piping designers, fittings, valves and related accessories shall be adequately selected, used and maintained based on the applicable conditions and product conformity to the system to be applied. Please read carefully the operation manual and feel free to contact with Ihara if you have any question or request.

WARRANTY CLAUSE

1. Warranty Period

The warranty period of the products is one (1) year from putting into service or one and half (1.5) years after delivery whichever comes earlier. However, the products specially specified and/or the cases used under deviating from the specification shall be exempted.

2. Scope of Warranty

Any failure and damage under maker's responsibility will be found during the warranty period, the substitute and/or replacement parts shall be provided at no charge. The warranty means the warranty of the products of our company. Any liquidated damages caused by the failure or damage of our product shall be exempted from the scope of the warranty.

■ The contents of this leaflet are subject to change without notice.