

Cleanness by Purpose

I

Inline Filter

INF2 series



IHARA SCIENCE CORPORATION

INF2 In-line Filter

【Features】

- Oil free treatment by precise cleaning for fluid contact parts
- Assembly and Packing in clean room
- Easy replacement of the element. Excellent in maintenance.

Specification

Size	1/4"	3/8"	1/2"
W. Pressure	16.2MPa		
W. Temperature	-10 ~ +150°C		
Nominal Element	2μm	10μm	60μm
Pore Size (*1)	Option: 1μm, 5μm, 20μm		
Allowable Back-pressure	1MPa		
External Leak	≤ 1×10 ⁻¹¹ Pa·m ³ /sec.		

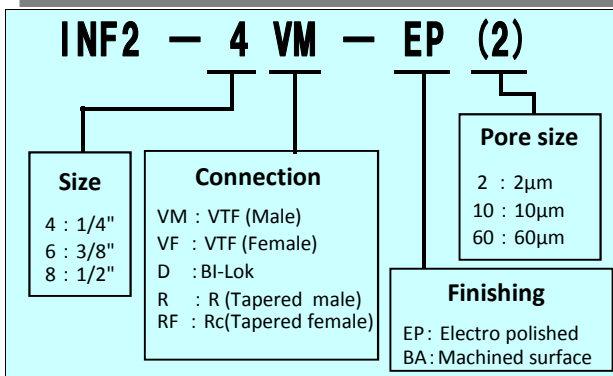
(*1) Elements 2μm, 10μm, 60μm can be selected as standard.

Material

Body	316 SS
Element	316 SS
Gasket	316 SS (PFA Coated)

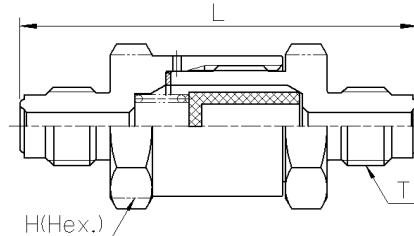
*For further details, inquire us.

Model Numbering



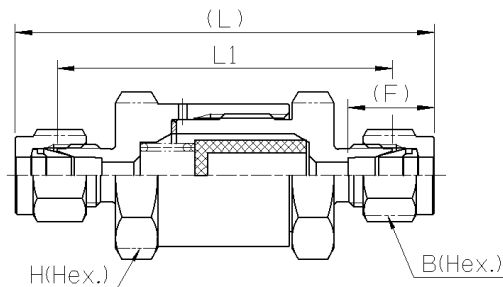
Dimensions

【Case of VTF (Metal gasket seal fitting) male connection】



Type	L	H	T(UNF)
INF-4VM	71.6	26	9/16-18
INF-8VM	81.5	32	7/8-14

【Case of BI-Lok (Double ferrule fitting) connection】



Type	L	L1	F	H	B
INF-4D	74.8	59.8	15.4	26	14.29
INF-6D	81.7	66.7	17	32	17.46
INF-8D	87.3		23		22.23

For further information such as another type of connectons, inquire us.



IHARA SCIENCE CORPORATION

◆ Head Office

11-3 Takanawa 3-chome Minato-ku, Tokyo 108-0074 Japan
TEL: 03-6721-6981 FAX: 03-6721-6991

◆ IHARA SCIENCE TAIWAN Co.,Ltd

No.79, Mingyi St., West Dist.,
Taichung City 403, Taiwan (R.O.C.)

◆ NANTONG IHARA SCIENCE Co.,Ltd.

No. 19 Xingdong Road.
Economic & Technological Development Zone,
Nantong, 226010, China

TEL:+86-513-8152-0189 FAX:+86-21-8152-0182

◆ IHARA KOREA Co.,Ltd

Digital Empire II 103-905, Sinwon-ro 88, Yeongtong-Gu,
Suwon-Si, Gyeonggi-Do, 443-734, South Korea
TEL:+82-31-695-6800 FAX:+82-31-695-6808

◆ IHARA SCIENCE USA CORPORATION

1915 Peters Road, Suite 103 Irving, Texas 75061
TEL:+1-469-586-4671 FAX: +1-469-586-4723

■ URL: <http://www.ihara-sc.co.jp/>

■ Please be advised that the contents of this catalogue may be revised without notice when improvements or modifications are made on the time.



WARNING

If you don't select and handle fittings, valves and related accessories in an adequate manner, it may damage human beings and applicable systems.

Within the responsibility and authorization of users and piping designers, fittings, valves and related accessories shall be adequately selected, used and maintained based on the applicable conditions and product conformity to the system to be applied. Please read carefully the operation manual and feel free to contact with Ihara if you have any question or request.

WARRANTY CLAUSE

1. Warranty Period

The warranty period of the products is one (1) year from putting into service or one and half (1.5) years after delivery whichever comes earlier.

However, the products specially specified and/or the cases used under deviating from the specification shall be exempted.

2. Scope of Warranty

Any failure and damage under maker's responsibility will be found during the warranty period, the substitutes and/or replacement parts shall be provided free of charge. The warranty shall not be applied to a claim for the liquidated damages.